

B

↓

A

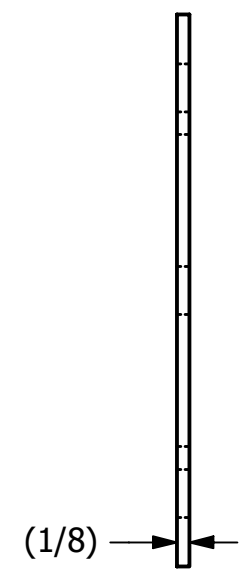
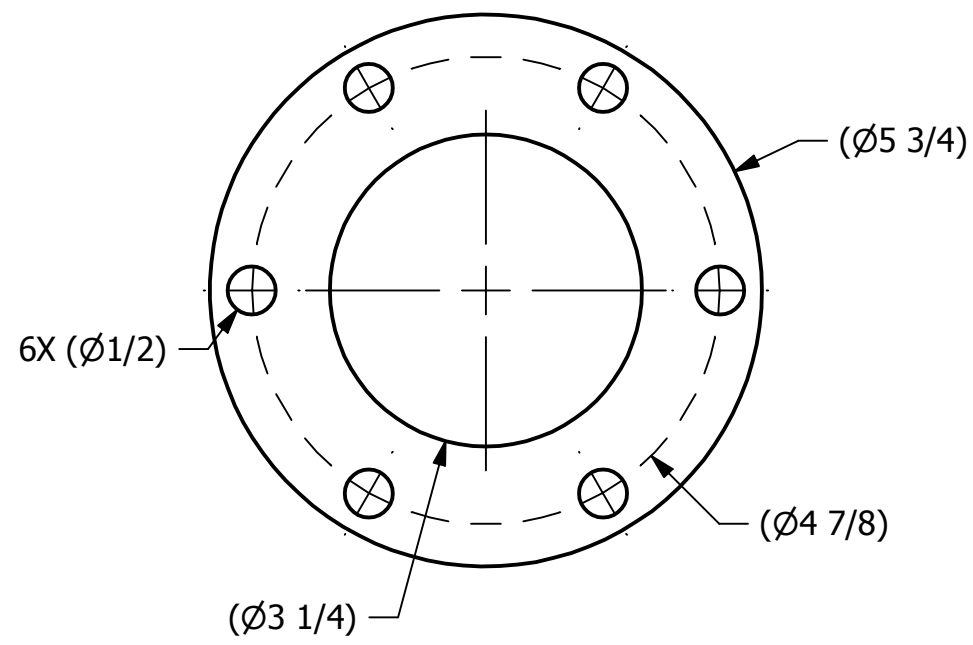
2

↓

1

SALES DRAWING

SALES DRAWING



B

↓

A

A	TAJ	2/14/11	UPDATED DRAWING TO INVENTOR
REV	BY	DATE	DESCRIPTION

UNLESS OTHERWISE SPECIFIED DIMENSIONAL TOLERANCES FRACTIONAL: $\pm 1/16$ X.XX: $\pm .03$ X.XXX: $\pm .015$ ANGULAR: $\pm 1^\circ$ DEBURR ALL SHARP EDGES. ALL MACHINED SURFACES TO HAVE A 125 RMS FINISH UNLESS NOTED OTHERWISE. THIRD ANGLE PROJECTION	DRAWN BY:	ACC
	CHECKED BY:	CHL
	PROTOTYPE BY:	ACC
	PROTOTYPE DATE:	
	APPROVED FOR PRODUCTION BY:	ACC
	PRODUCTION DATE:	10/29/2003

PART NAME:		
FLANGE GASKET 4 7/8"		
MATERIAL: FDA WHITE NITRILE DURO: 60 +/- 5		
PROJECT #:	SHEET #:	SCALE:
110211	1 OF 1	1:2
DRAWING #:	PART #:	
A18378	FG478602	

THIS PRINT, PROPERTY OF SALCO PRODUCTS INC, CONTAINS PROPRIETARY INFORMATION AND MUST NOT BE COPIED, REPRODUCED, OR USED DETRIMENTALLY TO OUR INTEREST.

2

↑

1